

CONFIDENTIAL

THIS DOCUMENT AND INFORMATION CONTAINED HEREIN IS PROPRIETARY AND CONFIDENTIAL TO PRECOR STRENGTH INCORPORATED. RECIPIENTS OF THIS DOCUMENT AGREE THAT THIS DOCUMENT AND INFORMATION WILL NOT BE USED FOR ANY PURPOSE, REPRODUCED OR COPIED, OR DISCLOSED TO ANY THIRD PARTY, EITHER IN WHOLE OR IN PART WITHOUT PRIOR EXPRESS WRITTEN PERMISSION OF PRECOR STRENGTH, INCORPORATED.

PRECOR USA
PRECOR STRENGTH, INC.

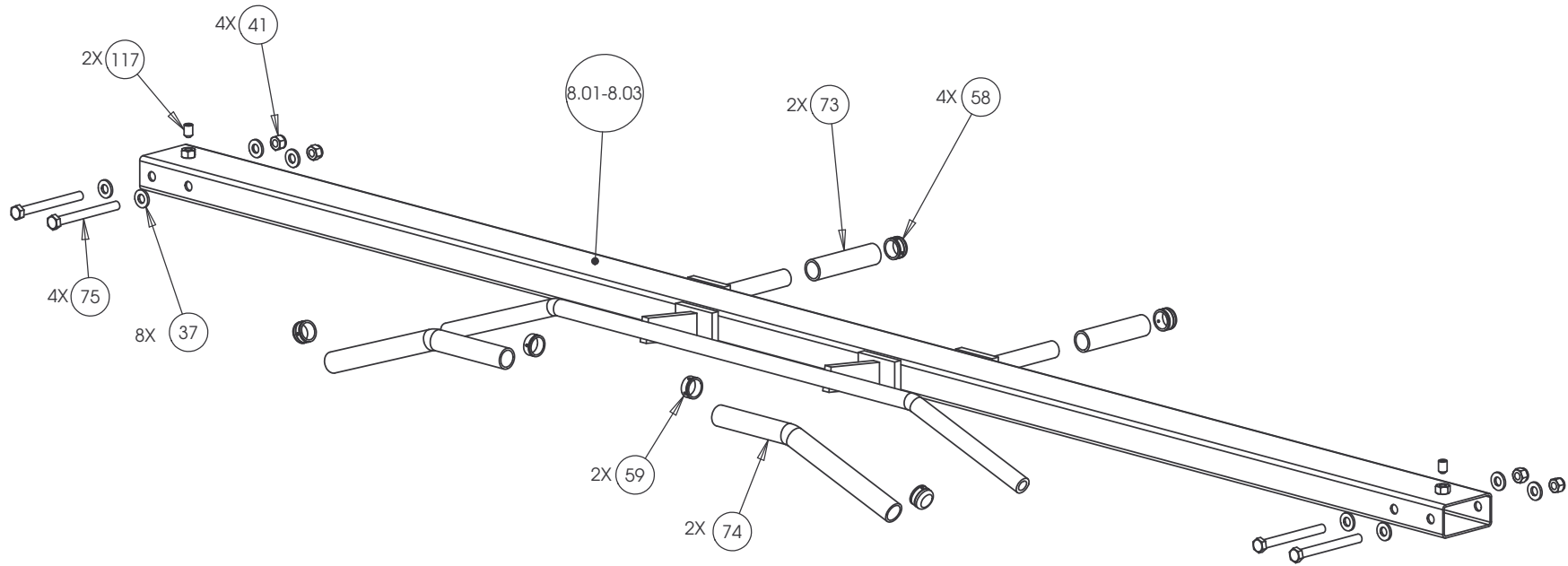
28936 AVE WILLIAMS
VALENCIA, CA 91355
TELEPHONE: 661-362-0300

SIGN IN BLUE OR BLACK INK ONLY		
DRWN BY	01.02.07	MGP
DWG CHK		
ENG	01.02.07	RSG
MFG ENG		
CS		
QA		
ID		
REG		

UNLESS OTHERWISE SPECIFIED:
DIMENSIONS ARE IN INCHES
TOLERANCES ARE:
LIN .X=±0.1 .XXX=±0.010
LIN .XX=±0.02 .XXXX=±0.0001
ANGULAR: ±1.0°
ALL DIMS AFTER PLATING
BREAK ALL SHARP EDGES
REMOVE ALL BURRS
ALL ANGLES & BENDS 90°
DWG PER ASME Y14.5M-1994
DO NOT SCALE DRAWING
ALL MACHINED SURFACES

PRODUCT:		STRENGTH
ASSEMBLY CONNECTION, 10.5, W/ 1 PULLEY HSG		
DWG. NO.	CW31868-402	SUBREV A

SIZE	PAGE	OF
C	1	1



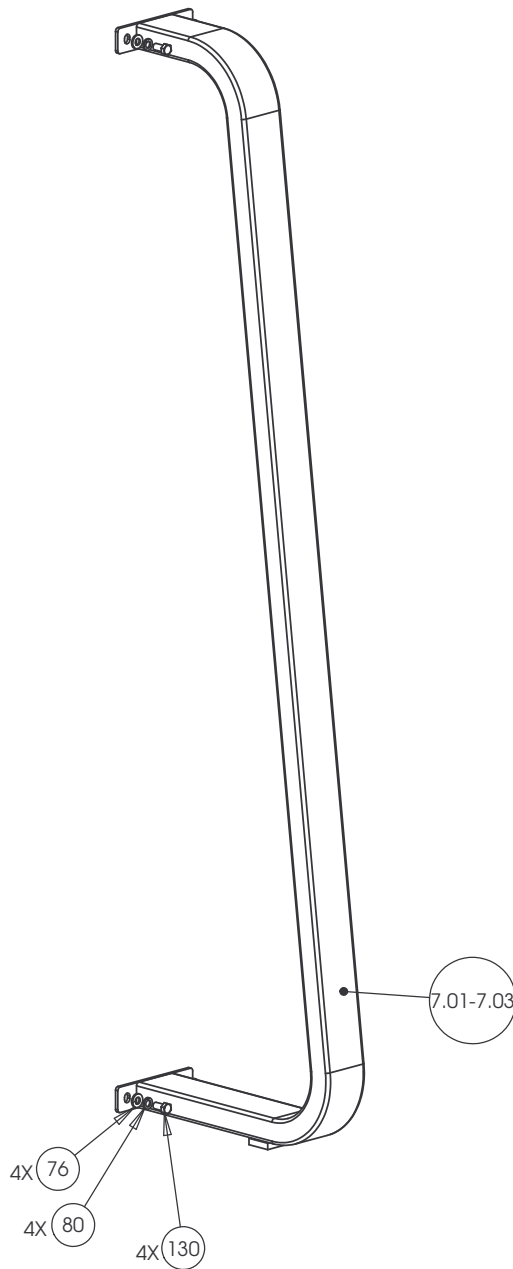
CONFIDENTIAL

THIS DOCUMENT AND INFORMATION CONTAINED HEREIN IS PROPRIETARY AND CONFIDENTIAL TO PRECOR STRENGTH INCORPORATED. RECIPIENTS OF THIS DOCUMENT AGREE THAT THIS DOCUMENT AND INFORMATION WILL NOT BE USED FOR ANY PURPOSE, REPRODUCED OR COPIED, OR DISCLOSED TO ANY THIRD PARTY, EITHER IN WHOLE OR IN PART WITHOUT PRIOR EXPRESS WRITTEN PERMISSION OF PRECOR STRENGTH, INCORPORATED.

PRECOR USA
PRECOR STRENGTH, INC.

28936 AVE WILLIAMS
VALENCIA, CA 91355
TELEPHONE: 661-362-0300

SIGN IN BLUE OR BLACK INK ONLY			UNLESS OTHERWISE SPECIFIED: DIMENSIONS ARE IN INCHES			PRODUCT:	
DRWN BY	01.02.07	MGP	TOLERANCES ARE:			STRENGTH	
DWG CHK			LIN	.X=±0.1	.XXX=±0.010	ASSEMBLY CONNECTION, 107 IN, CROSSBEAM W-HANDLES	
ENG	01.02.07	RSG	LIN	.XX=±0.02	.XXXX=±0.0001		
MFG ENG			ANGULAR: ±1.0°				
CS			ALL DIMS AFTER PLATING				
QA			BREAK ALL SHARP EDGES				
ID			REMOVE ALL BURRS				
REG			ALL ANGLES & BENDS 90°			DWG. NO.	
			DWG PER ASME Y14.5M-1994			CW31878-401	
			DO NOT SCALE DRAWING			SUBREV	
			ALL MACHINED SURFACES			A	
			SIZE	PAGE	OF		
			C	1	1		



CONFIDENTIAL

THIS DOCUMENT AND INFORMATION CONTAINED HEREIN IS PROPRIETARY AND CONFIDENTIAL TO PRECOR STRENGTH INCORPORATED. RECIPIENTS OF THIS DOCUMENT AGREE THAT THIS DOCUMENT AND INFORMATION WILL NOT BE USED FOR ANY PURPOSE, REPRODUCED OR COPIED, OR DISCLOSED TO ANY THIRD PARTY, EITHER IN WHOLE OR IN PART WITHOUT PRIOR EXPRESS WRITTEN PERMISSION OF PRECOR STRENGTH, INCORPORATED.

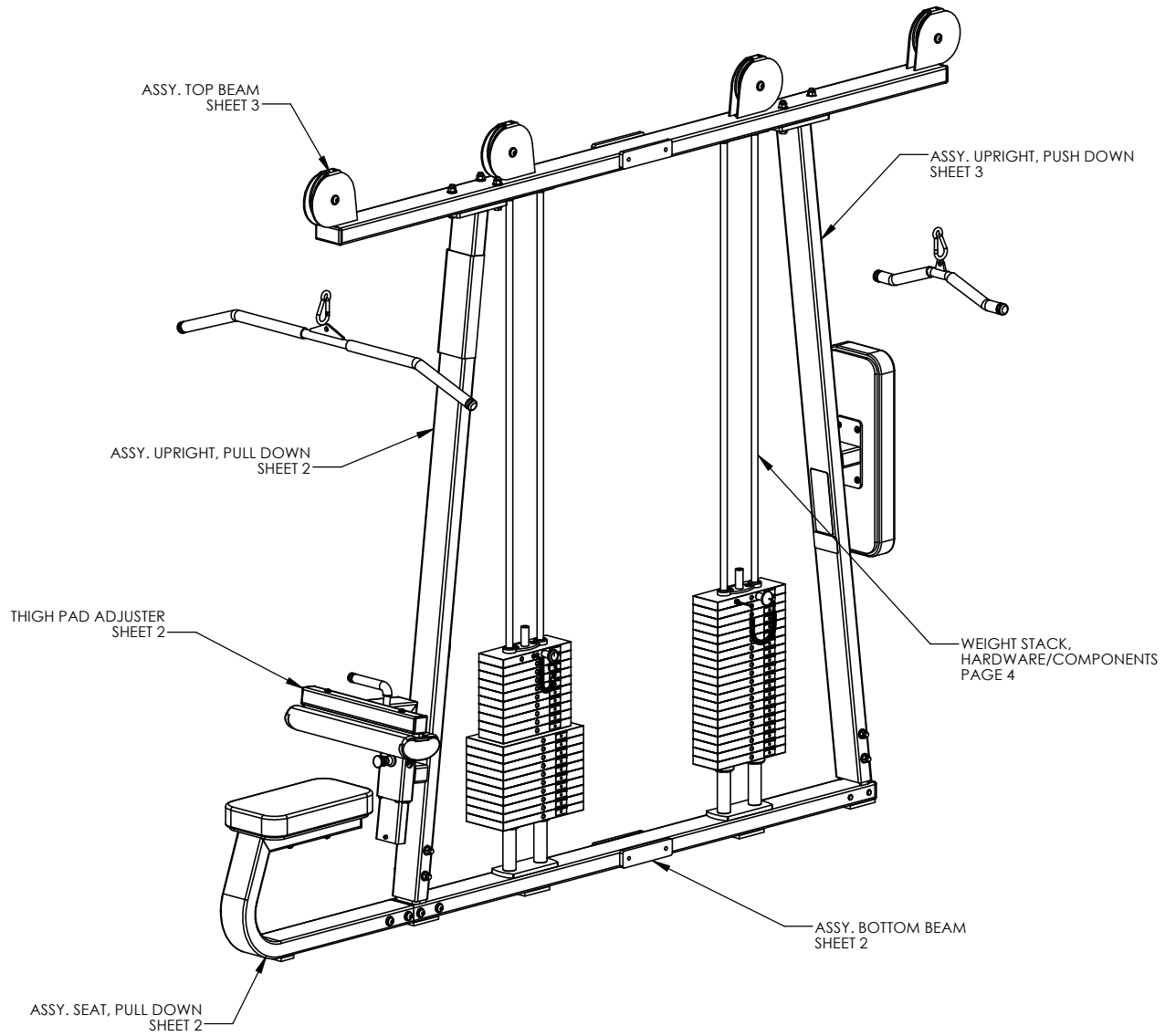
PRECOR USA
PRECOR STRENGTH, INC.

28936 AVE WILLIAMS
VALENCIA, CA 91355
TELEPHONE: 661-362-0300

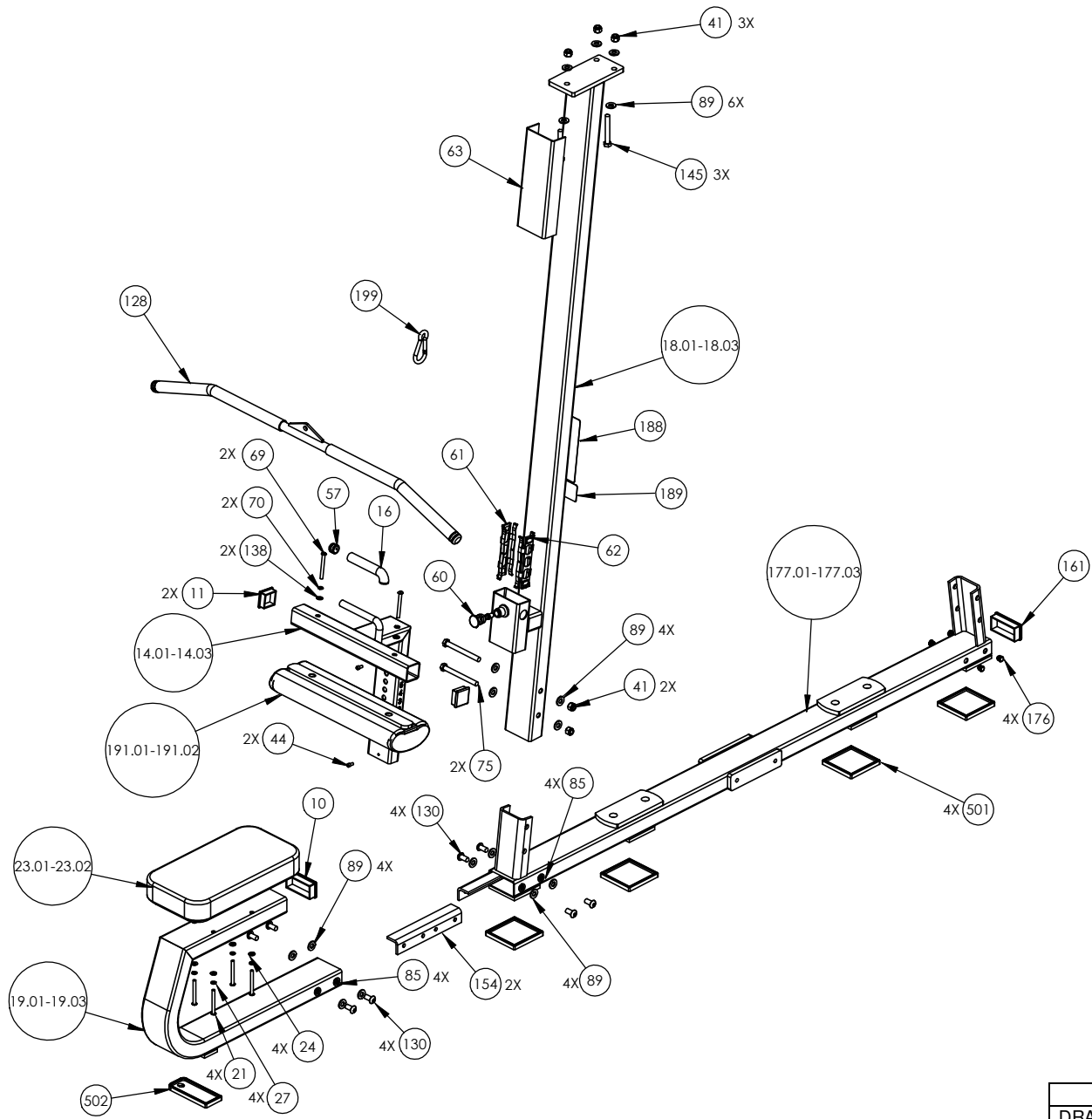
SIGN IN BLUE OR BLACK INK ONLY		UNLESS OTHERWISE SPECIFIED: DIMENSIONS ARE IN INCHES	
DRWN BY	01.02.07	MGP	TOLERANCES ARE:
DWG CHK			LIN .X=±0.1 .XXX=±0.010
ENG	01.02.07	RSG	LIN .XX=±0.02 .XXXX=±0.0001
MFG ENG			ANGULAR: ±1.0°
CS			ALL DIMS AFTER PLATING
QA			BREAK ALL SHARP EDGES
ID			REMOVE ALL BURRS
REG			ALL ANGLES & BENDS 90°
			DWG PER ASME Y14.5M-1994
			DO NOT SCALE DRAWING
			ALL MACHINED SURFACES

PRODUCT:	STRENGTH
ASSEMBLY FLANGED "C" FRAME, W/O PULLEY HSG	
DWG. NO.	CW31898-402
SUBREV	A

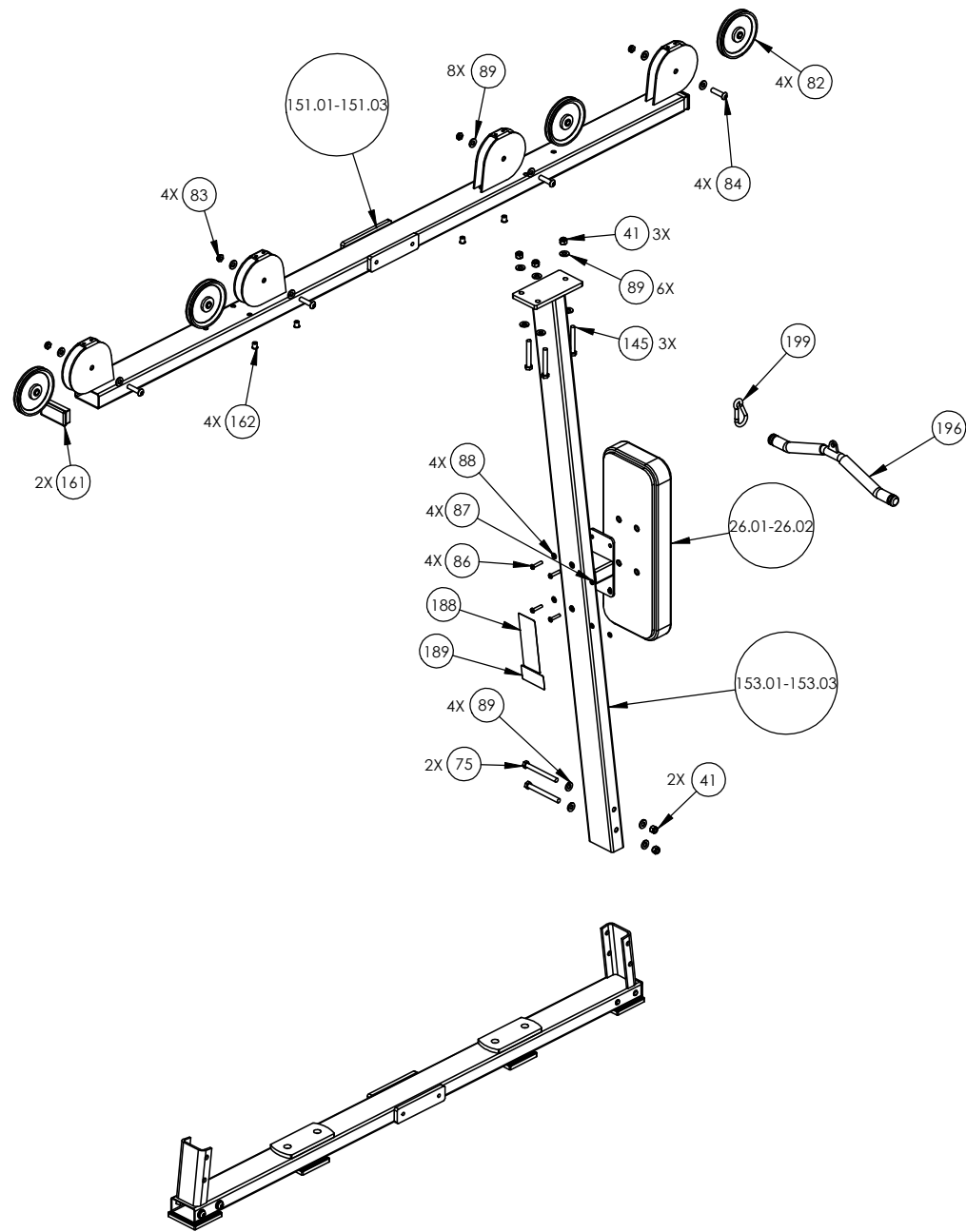
SIZE PAGE OF
C 1 1



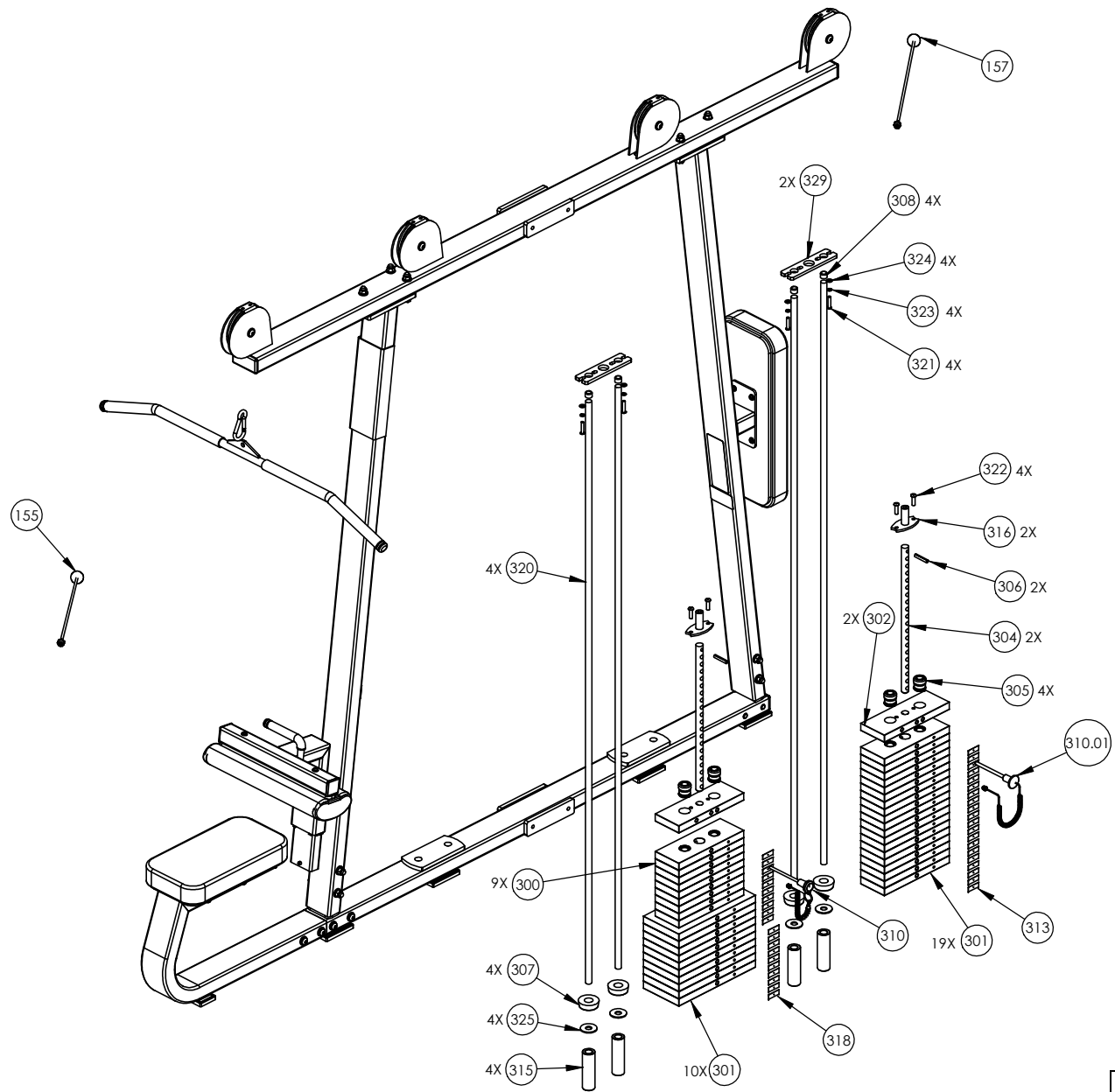
P/N: CW31927-402	SUBREV: E
DRAWN BY: VLE	DATE: 08.18.09
SHEET 1 OF 4	

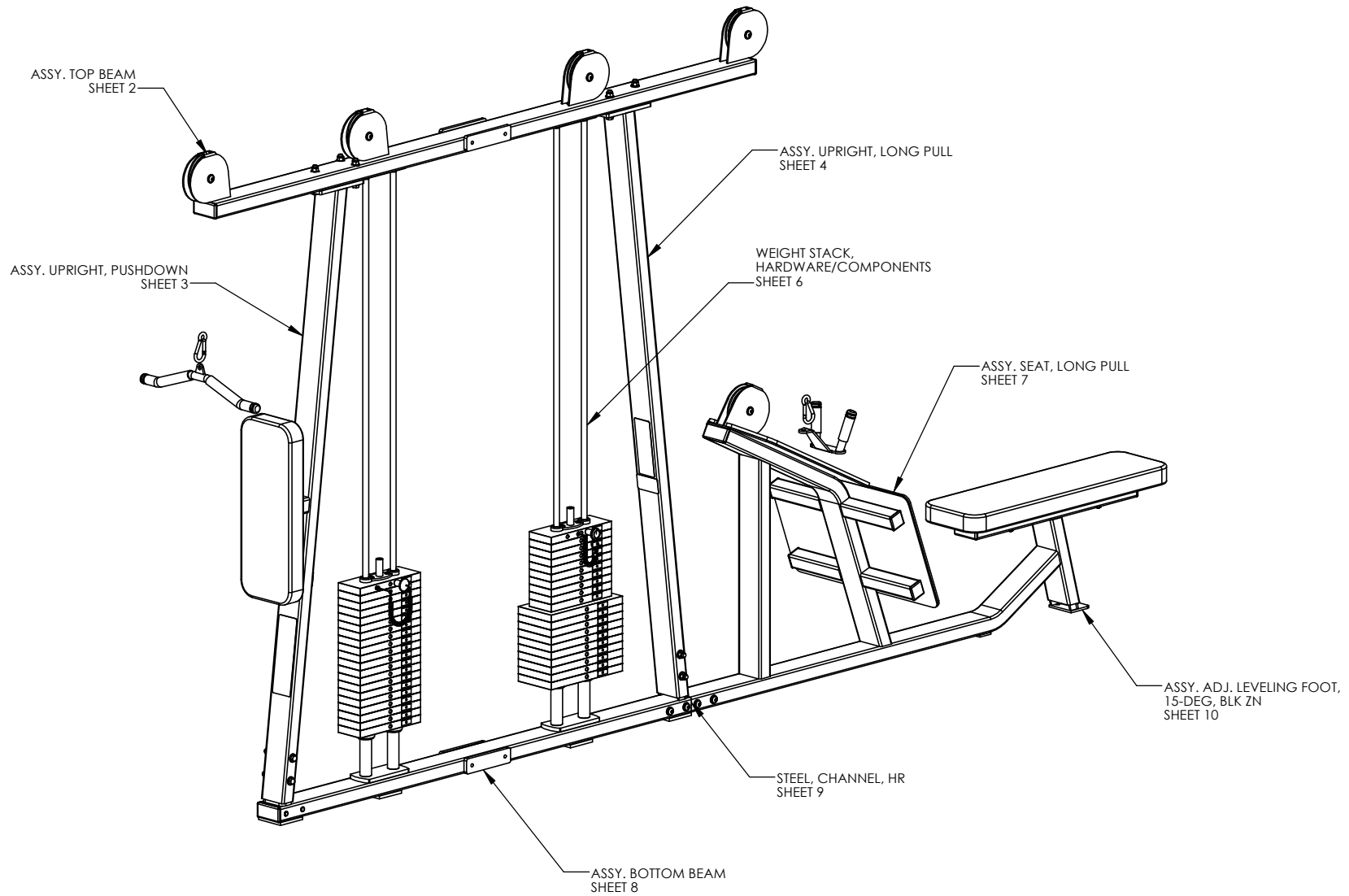


P/N: CW31927-402		SUBREV: E
DRAWN BY: VLE	DATE: 08.18.09	SHEET 2 OF 4

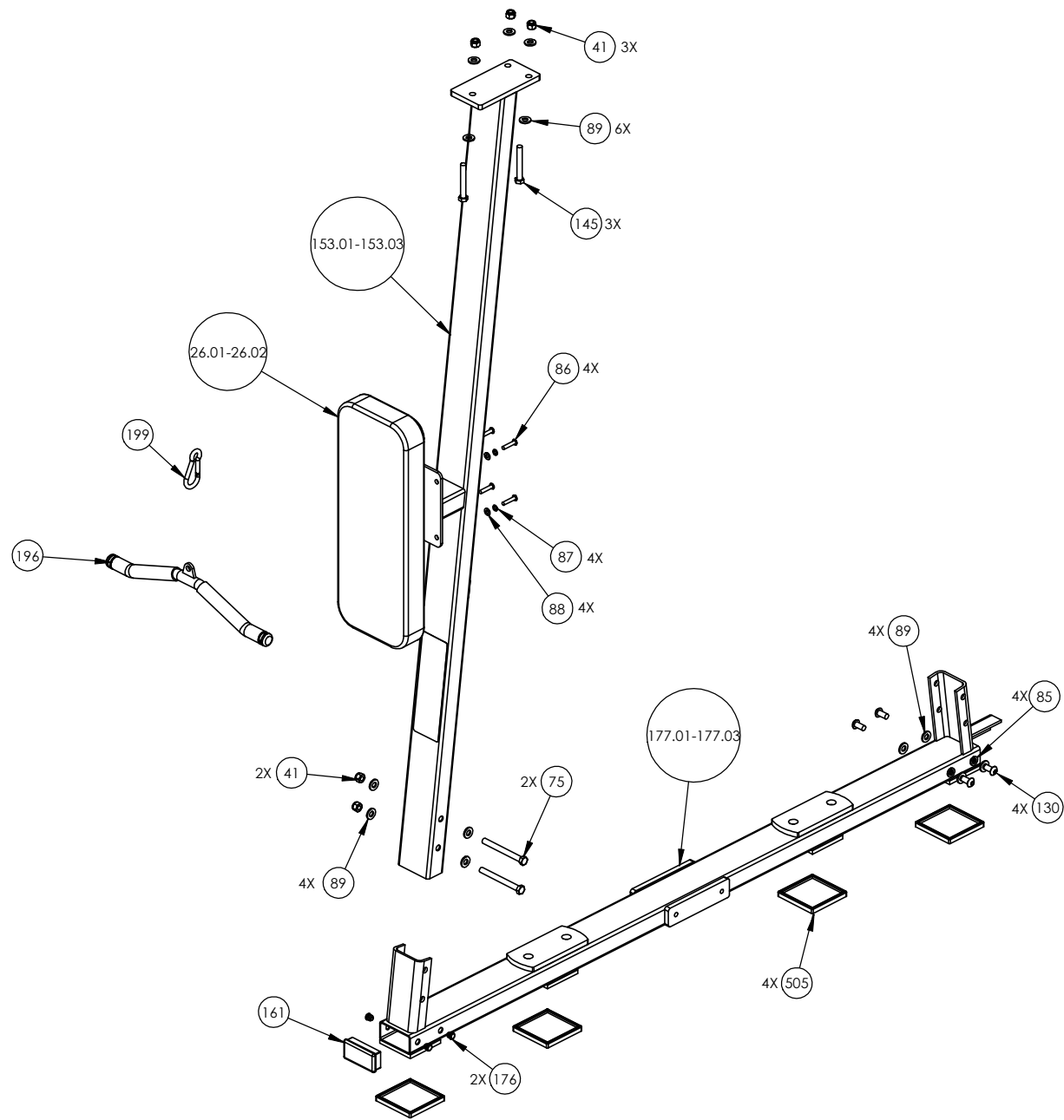


P/N: CW31927-402	SUBREV: E
DRAWN BY: VLE	DATE: 08.18.09
SHEET 3 OF 4	

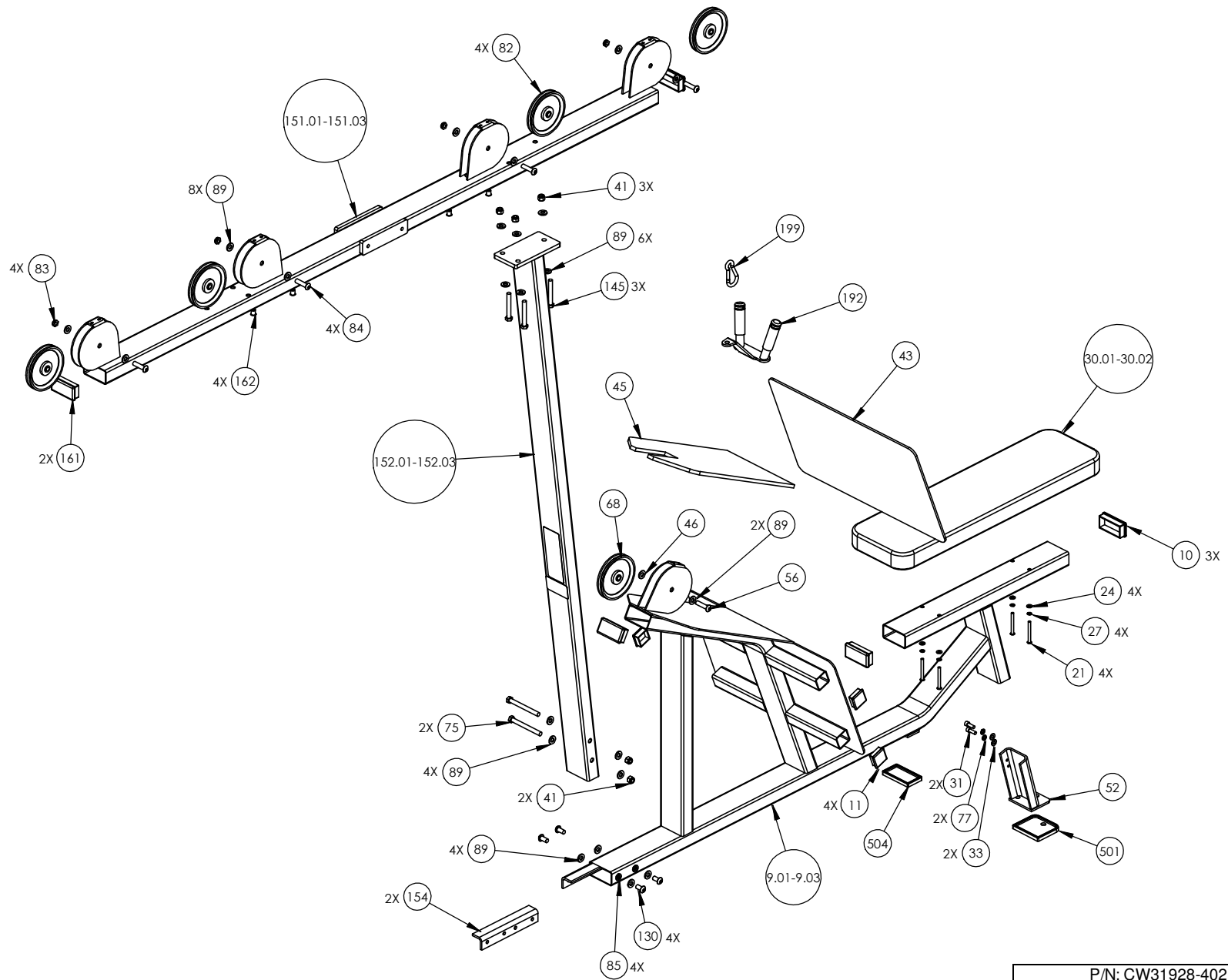




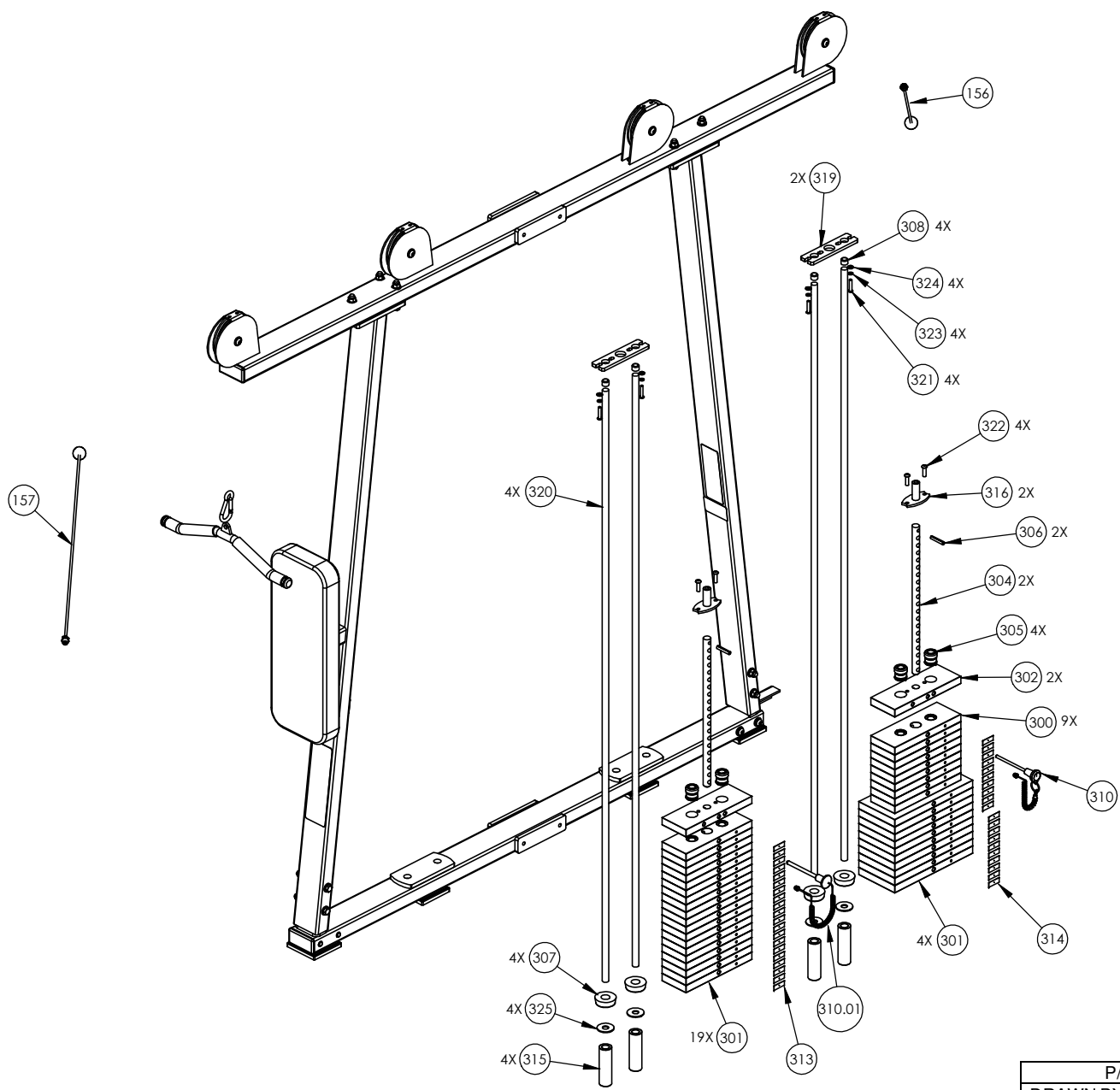
P/N: CW31928-402	SUBREV: E
DRAWN BY: VLE	DATE: 08.18.09
SHEET 1 OF 4	



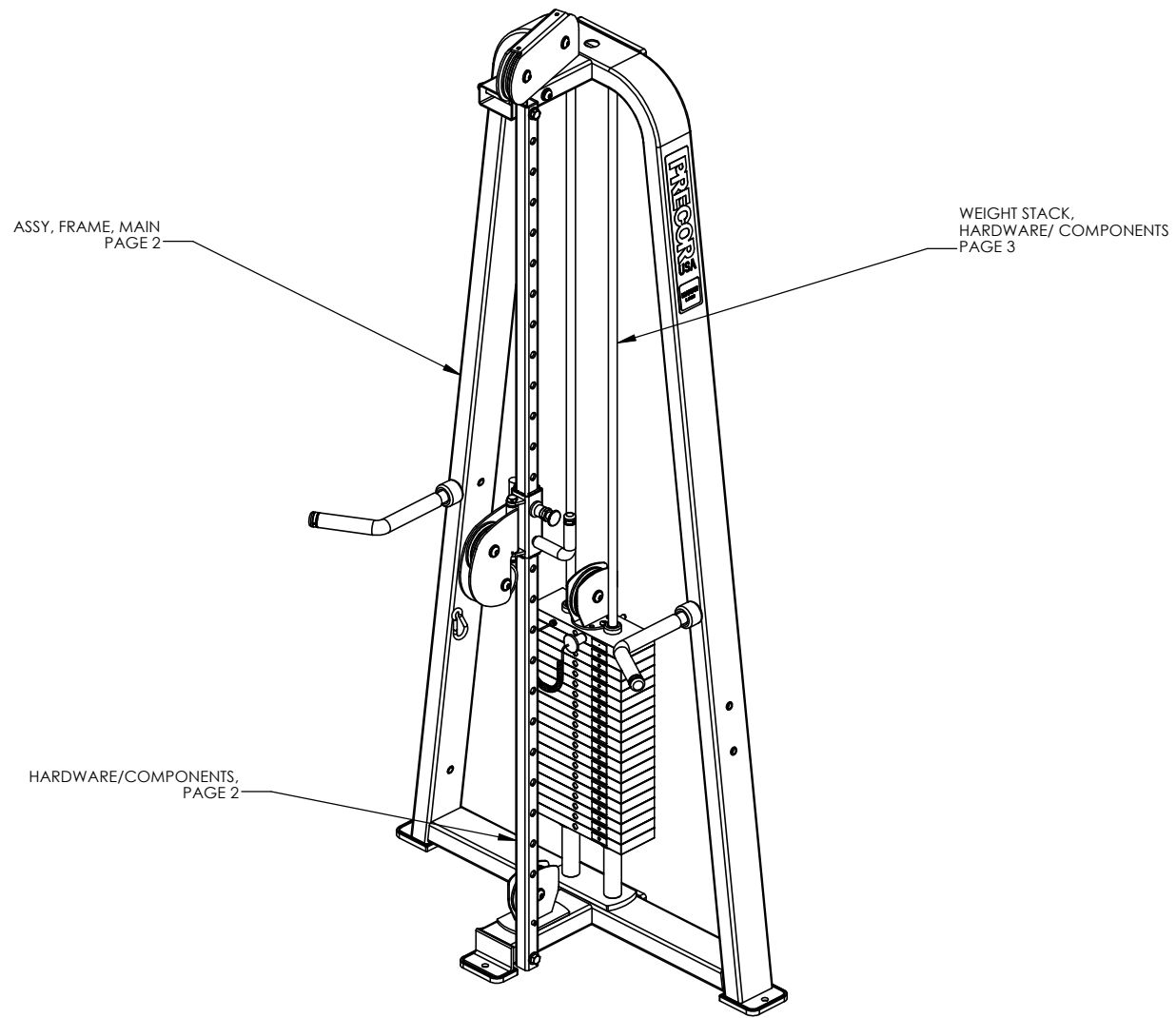
P/N: CW31928-402		SUBREV: E
DRAWN BY: VLE	DATE: 08.18.09	SHEET 2 OF 4



P/N: CW31928-402	SUBREV: E
DRAWN BY: VLE	DATE: 08.18.09
SHEET 3 OF 4	



P/N: CW31928-402		SUBREV: E
DRAWN BY: VLE	DATE: 08.18.09	SHEET 4 OF 4

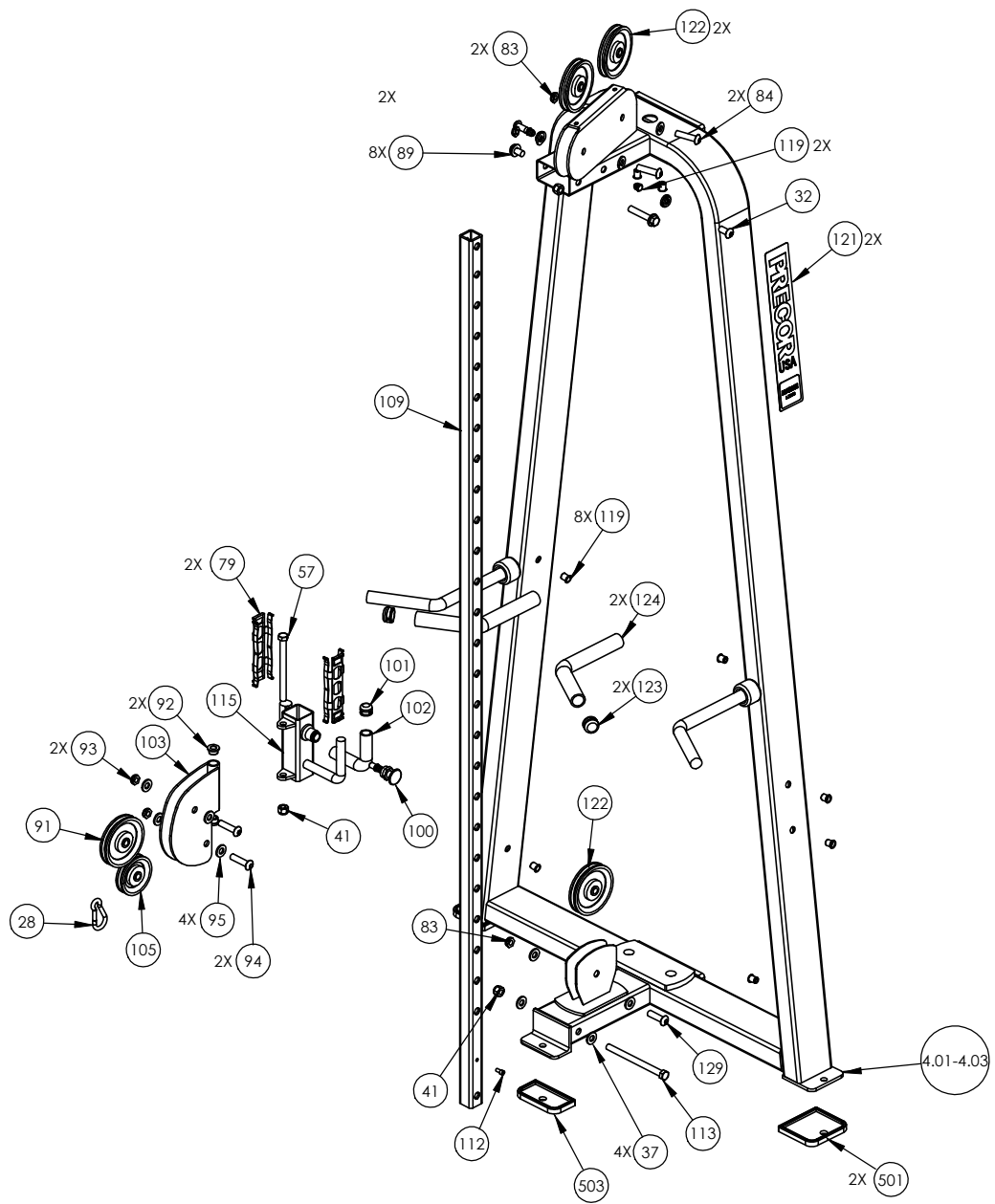


ASSY, FRAME, MAIN
PAGE 2

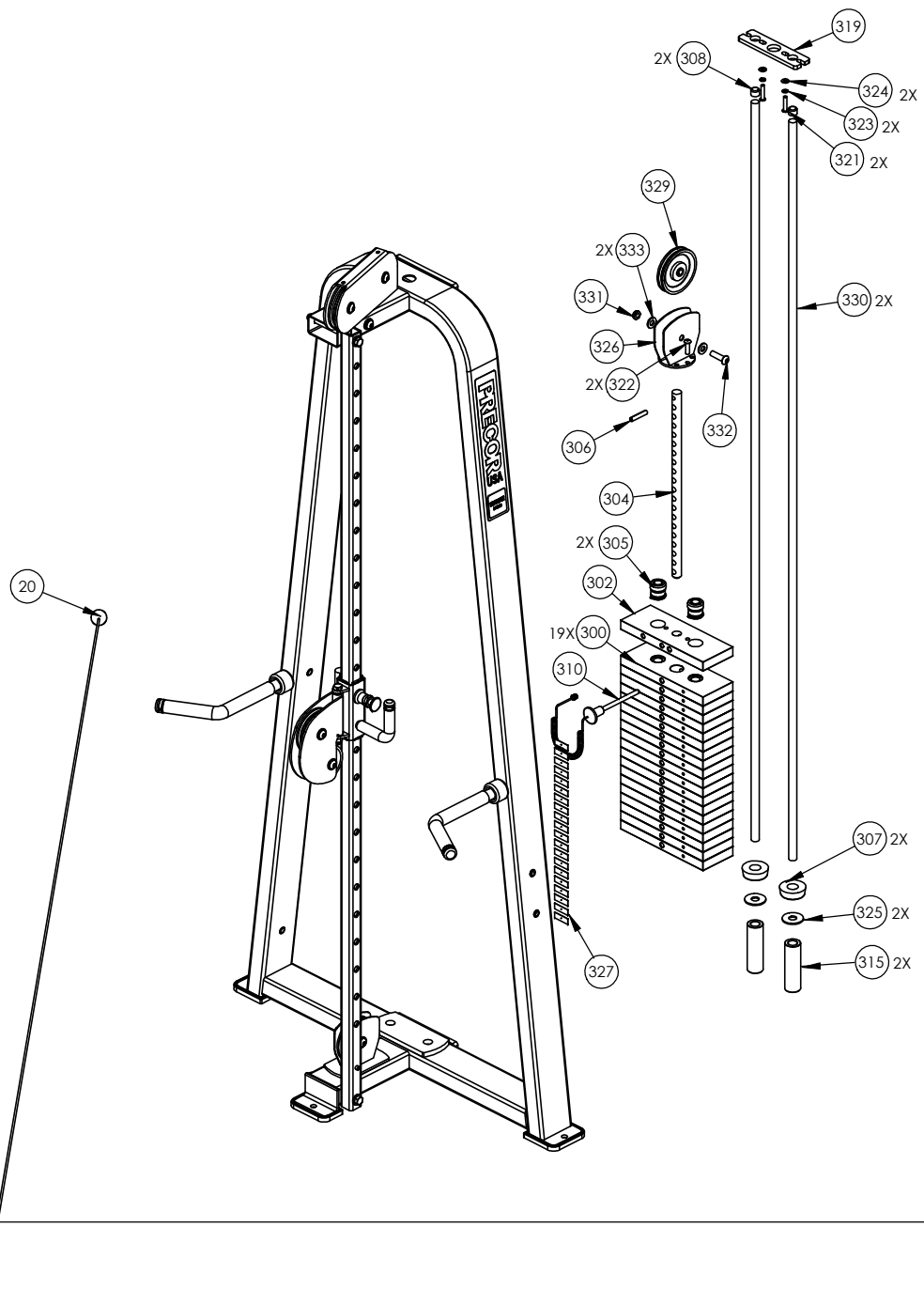
WEIGHT STACK,
HARDWARE/ COMPONENTS
PAGE 3

HARDWARE/COMPONENTS,
PAGE 2

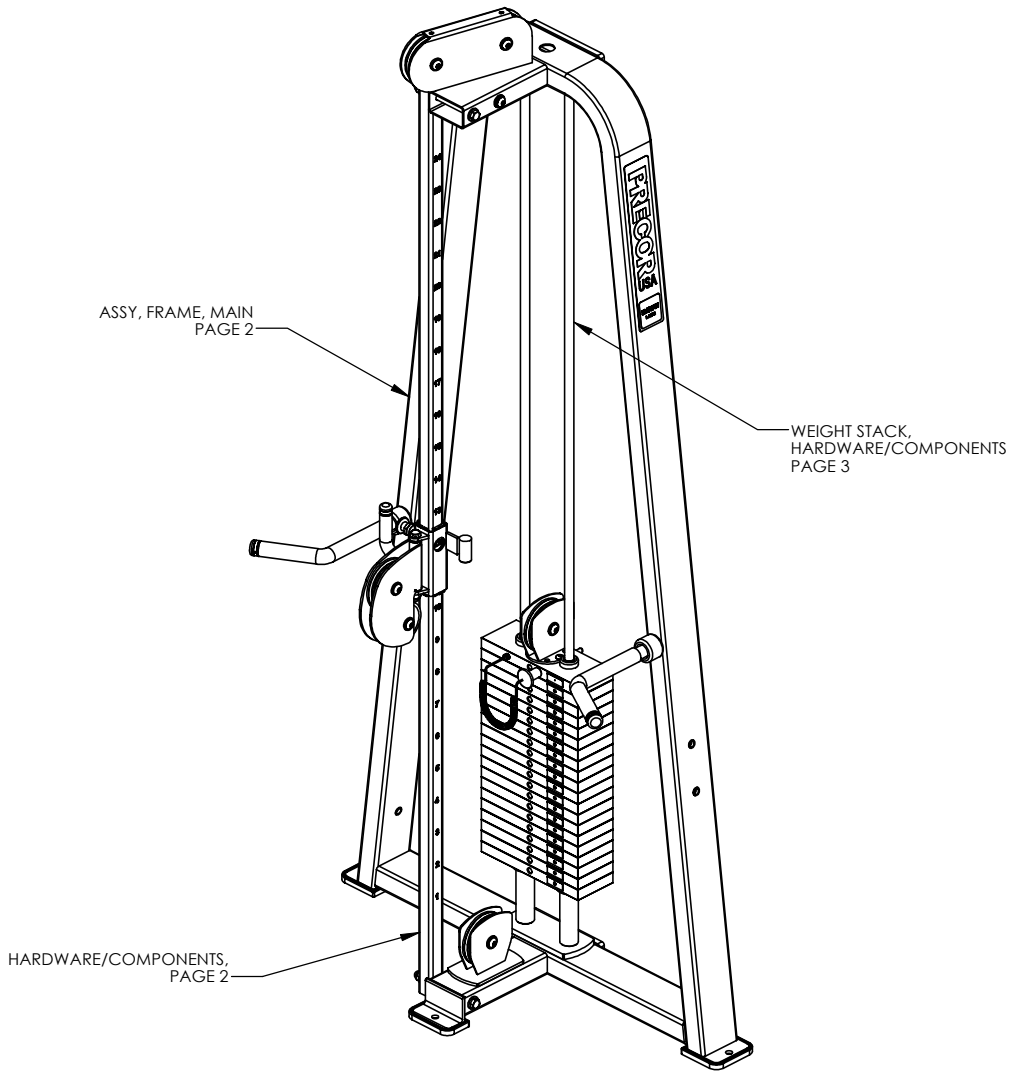
P/N: CW34920-401		SUBREV: A
DRAWN BY: VLE	DATE: 06.24.09	SHEET 1 OF 3



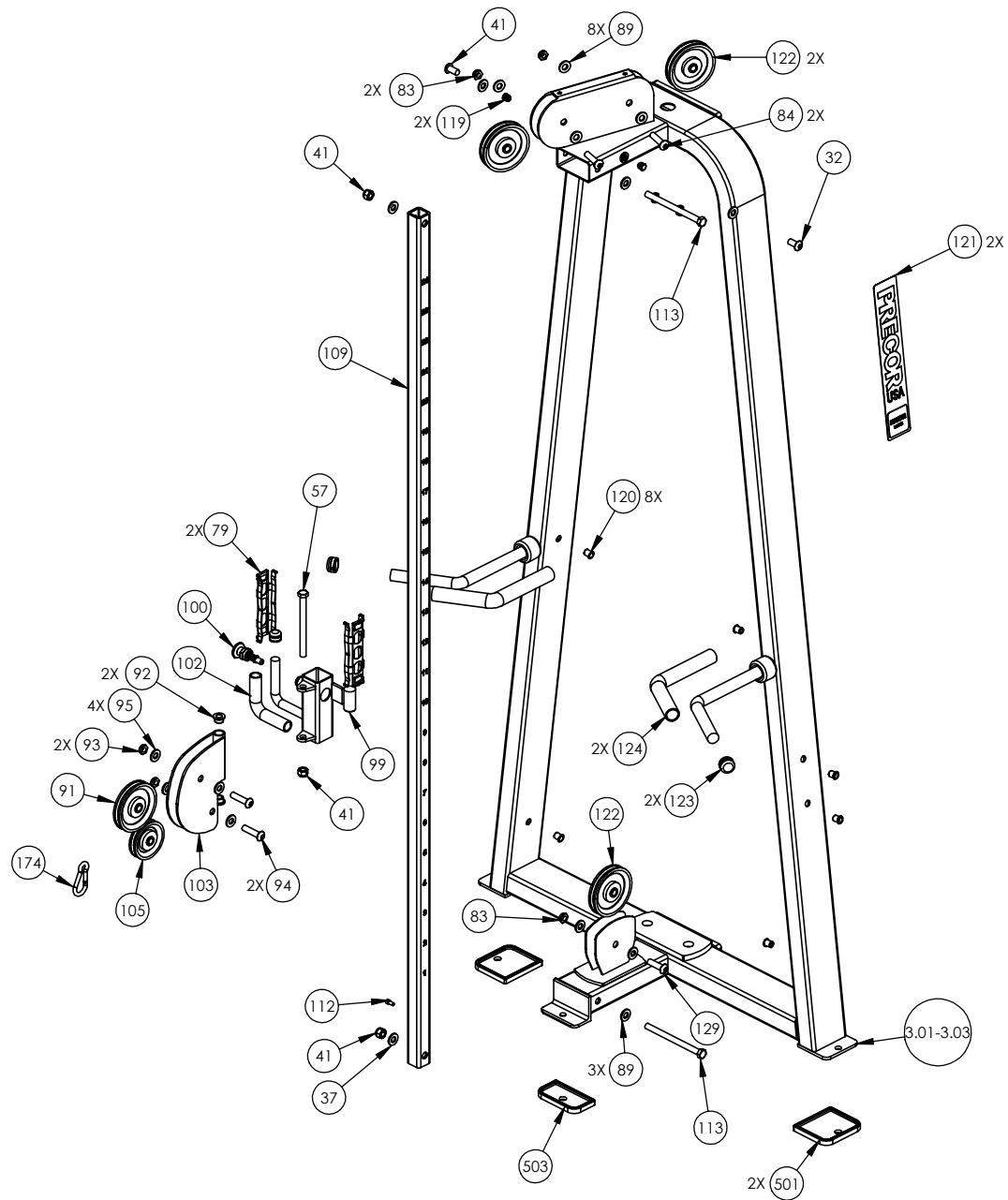
P/N: CW34920-401	SUBREV: A
DRAWN BY: VLE	DATE: 06.24.09
SHEET 2 OF 3	



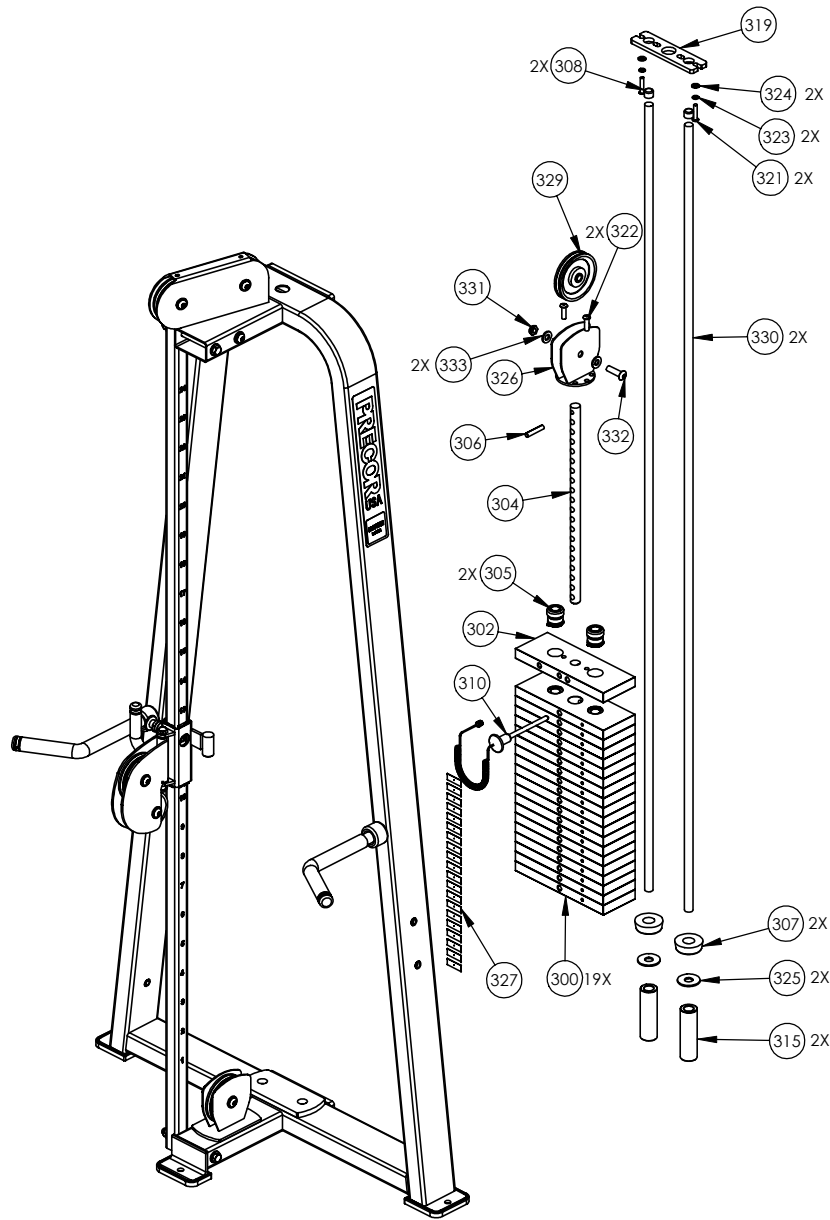
P/N: CW34920-401	SUBREV: A
DRAWN BY: VLE	DATE: 06.24.09
SHEET 3 OF 3	



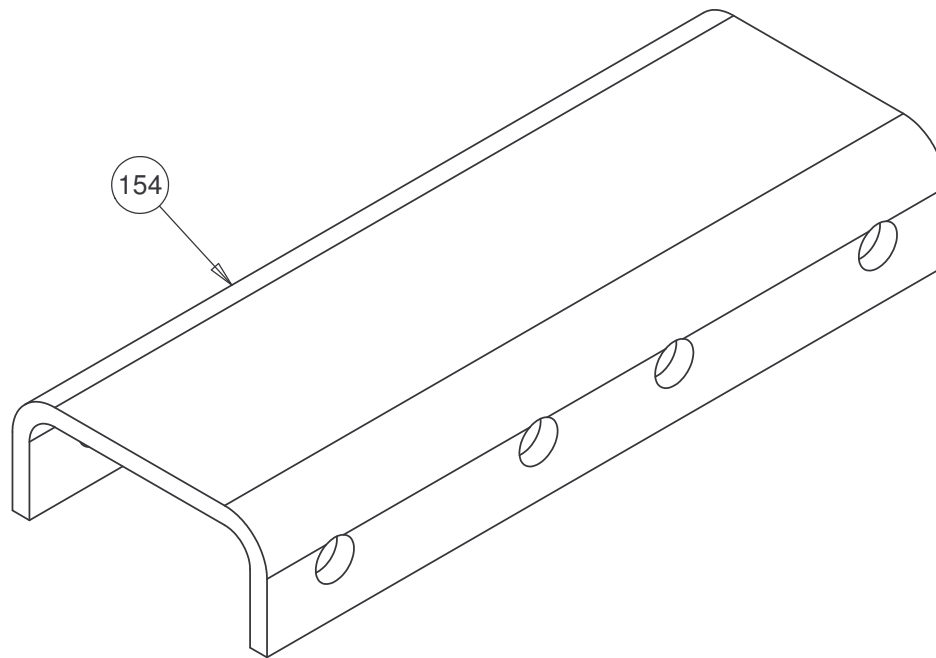
P/N: CW34921-401	SUBREV: A
DRAWN BY: VLE	DATE: 06.24.09
SHEET 1 OF 3	



P/N: CW34921-401		SUBREV: A
DRAWN BY: VLE	DATE: 06.24.09	SHEET 2 OF 3



P/N: CW34921-401	SUBREV: A
DRAWN BY: VLE	DATE: 06.24.09
SHEET 3 OF 3	



CONFIDENTIAL

THIS DOCUMENT AND INFORMATION CONTAINED HEREIN IS PROPRIETARY AND CONFIDENTIAL TO PRECOR STRENGTH INCORPORATED. RECIPIENTS OF THIS DOCUMENT AGREE THAT THIS DOCUMENT AND INFORMATION WILL NOT BE USED FOR ANY PURPOSE, REPRODUCED OR COPIED, OR DISCLOSED TO ANY THIRD PARTY, EITHER IN WHOLE OR IN PART WITHOUT PRIOR EXPRESS WRITTEN PERMISSION OF PRECOR STRENGTH INCORPORATED.

PRECOR USA
 PRECOR STRENGTH, INC.

**28936 AVE WILLIAMS
 VALENCIA, CA 91355
 TELEPHONE: 661-362-0300**

SIGN IN BLUE OR BLACK INK ONLY		UNLESS OTHERWISE SPECIFIED: DIMENSIONS ARE IN INCHES TOLERANCES ARE: LIN .X= ±0.1 .XXX= ±0.010 LIN .XX= ±0.02 .XXXX= ±0.0001 ANGULAR: ±1.0° ALL DIMS AFTER PLATING BREAK ALL SHARP EDGES REMOVE ALL BURRS ALL ANGLES & BENDS 90°* DWG PER ASME Y14.5M-1994 DO NOT SCALE DRAWING 125% ALL MACHINED SURFACES
DRWN BY	01.02.07 MGP	
DWG CHK		
ENG	01.02.07 RSG	
MFG ENG		
CS		
QA		
ID		SIZE
REG		PAGE OF
		A 1 1

PRODUCT:
 STRENGTH

STEEL, CHANNEL

DWG. NO. SUBREV
 CW33293-401 A

2313 Modular, C-Frame 1 (2X), Adj. Hi/Low (2X)

Part Number	Description	Bubble Number
PPP00000CW11311102	ENDCAP, REC TUBE, 2X4, BLK PLASTIC	10
PPP00000CW11311103	ENDCAP, REC TUBE, 2X2, BLK PLASTIC	11
PPP00000CW30641211	WELDMENT, THIGH PAD ADJUSTER, SKY WH	14.01
PPP00000CW30641301	WELDMENT, THIGH PAD ADJUSTER, CUSTOM	14.02
PPP00000CW30641321	WELDMENT, THIGH PAD ADJUSTER, TITANI	14.03
PPP00000CWGR4804500	GRIP, RUBBER, .75" OD HANDLE, 4.50"	16
PPP00000CW30639212	WELDMENT, PULLDOWN UPRIGHT, SKY WHIT	18.01
PPP00000CW30640211	WELDMENT, PULLDOWN SEAT, SKY WHITE	19.01
PPP0000CWCLRA319250	ASSY, CABLE, MARINE EYES, FTS, 407B	20
PPP0000CWTAYN031325	SCREW, BUTTON HEAD, BLK XYLAN, 5/16	21
PPP0000CWPD1105B101	PAD, 9X17, 4HOLES, W/BP, BLACK	23.01
PPP0000CWPD1105B102	PAD, 9X17, 4HOLES, W/BP, RYL BL	23.02
PPP0000CWPD1105B114	PAD, 9X17, 4HOLES, W/BP, CUSTOM	23.14
PPP0000CWWBKN031007	WASHER, FLAT, TYPE A, SAE, 5/16 ID	24
PPP0000CWWALYN050013	WASHER, SPLIT, 1/2 ID, BLK XYLAN	25
PPP0000CWPD1104B101	PAD, 9X24, 4HOLES, W/BP, BLACK	26.01
PPP0000CWPD1104B102	PAD, 9X24, 4HOLES, W/BP, RYL BL	26.02
PPP0000CWPD1104B114	PAD, 9X24, 4HOLES, W/BP, CUSTOM	26.14
PPP0000CWWALYN031008	WASHER, SPLIT, 5/16 ID, BL	27
PPP00000CW12589741	CARBINE, HOOK, MEDIUM, 5/16" DIA, 3	28
PPP0000CWPD1102A101	PAD, FLAT, 10X36, 4HOLES, BLACK	30.01
PPP0000CWPD1102A102	PAD, FLAT, 10X36, 4HOLES, RYL BL	30.02
PPP0000CWPD1102A114	PAD, FLAT, 10X36, 4HOLES, CUSTOM	30.14
PPP0000CWCAYN038100	SCREW, SOCKET HEAD, BLK XYLAN, 3/	31
PPP0000CWWALYN050013	WASHER, SPLIT, 1/2 ID, BLK XYLAN	32
PPP0000CWWBKN038007	WASHER, FLAT, TYPE A, SAE, 3/8 ID	33
PPP0000CWTAYN050100	SCREW, BUTTON HEAD, BLK XYLAN, 1/2	37
PPP0000CWWBKN050010	WASHER, FLAT, TYPE A, SAE, 1/2 ID X	37
PPP0000CWKDYN050059	LOCKNUT, NYLON INSERT, FULL, UNC, 1	41
PPP00000CW30013226	CUT PIECE, CREPE, 1/4 THICK	43
PPP0000CWCAYN025050	SCREW, SOCKET HEAD, BLK XYLAN	44
PPP00000CW30013131	CUT PIECE, CREPE, 1/4 THICK	45
PPP0000CWKAYN050031	LOCKNUT, NYLON INSERT, HALF, UNC, 1	46
PPP0000CWWBKN050010	WASHER, FLAT, TYPE A, SAE, 1/2 ID X	47
PPP0000CWKAYN050031	LOCKNUT, NYLON INSERT, HALF, UNC, 1	48
PPP0000CWWALYN050013	WASHER, SPLIT, 1/2 ID, BLK XYLAN	49
PPP0000CWGR4620000	GRIP, RUBBER, 1.00" OD HANDLE, 20.0	50
PPP00000CW30245733	WELDMENT, ADJ. LEVELING FOOT, BLK Z	52
PPP0000CWTAYN050200	SCREW, BUTTON HEAD, BLK XYLAN, 1/2	56
PPP00000CWAC220901	HANDLE END CAP W/SET SCREWS, DIA 3/	57
PPP00000CWAC218901	HANDLE END CAP W/SET SCREWS, DIA 1"	58
PPP00000CWAC219902	HNDL RETAINER RNG, W/SS, 1.040" I.D.	59
PPP00000CW30165752	ASSY, POP PIN, 0.450 DIA NOSE, BLU	60
PPP0000CWAC1236104	GUIDE INSERT, PLASTIC WITH HOLE, BL	61
PPP00000CW33508101	ASSY, CUT PIECE, ABS CHANNEL, 1/8 X	63
PPP00000CWAC1010101	PULLEY, 6 DIA X 1/2 ID	68
PPP0000CWTAYN031325	SCREW, BUTTON HEAD, BLK XYLAN, 5/16	69
PPP0000CWWALYN031008	WASHER, SPLIT, 5/16 ID, BL	70
PPP0000CWTAYN050200	SCREW, BUTTON HEAD, BLK XYLAN, 1/2	71
PPP0000CWWBKN050010	WASHER, FLAT, TYPE A, SAE, 1/2 ID X	72

PPP0000CWGR4605000	GRIP, RUBBER, 1.00" OD HANDLE, 5.00	73
PPP000CWHCYN050500	SCREW, HEX HEAD, BLK XYLAN, 1/2-13	75
PPP000CWWBKN050010	WASHER, FLAT, TYPE A, SAE, 1/2 ID X	76
PPP000CWWALYN038009	WASHER, SPLIT, 3/8 ID, BLK XYLAN	77
PPP000CWHCCN050600	SCREW, HEX HEAD, ZINC, 1/2-13 X 6	78
PPP00000CW33626901	GUIDE, THIN, TELESCOPING TUBE	79
PPP000CWWALYN050013	WASHER, SPLIT, 1/2 ID, BLK XYLAN	80
PPP00000CWAC1010101	PULLEY, 6 DIA X 1/2 ID	82
PPP00000CWKAYN050031	LOCKNUT, NYLON INSERT, HALF, UNC, 1	83
PPP000CWTAYN050200	SCREW, BUTTON HEAD, BLK XYLAN, 1/2	84
PPP000CWTAYN031150	SCREW, BUTTON HEAD, BLK XYLAN, 5/16	86
PPP000CWWALYN031008	WASHER, SPLIT, 5/16 ID, BL	87
PPP00000CWWBKN031007	WASHER, FLAT, TYPE A, SAE, 5/16 ID	88
PPP000CWWBKN050010	WASHER, FLAT, TYPE A, SAE, 1/2 ID X	89
PPP00000CWAC1009101	PULLEY, 4 1/2 DIA X 1/2 ID	91
PPP00000CW10433108	BUSHING,FLNGD,.75ODX.5IDX.5,IGUS R	92
PPP00000CWKAYN050031	LOCKNUT, NYLON INSERT, HALF, UNC, 1	93
PPP000CWTAYN050200	SCREW, BUTTON HEAD, BLK XYLAN, 1/2	94
PPP000CWWBKN050010	WASHER, FLAT, TYPE A, SAE, 1/2 ID X	95
PPP000000CWAC218901	HANDLE END CAP W/SET SCREWS, DIA 1"	96
PPP000000CW30165752	ASSY, POP PIN, 0.450 DIA NOSE, BLU	100
PPP000000CWAC220901	HANDLE END CAP W/SET SCREWS, DIA 3/	101
PPP00000CWGR4806000	GRIP, RUBBER, .75" OD HANDLE, 6.00"	102
PPP000000CW30497721	WELDMENT, W/2 PULLEY WHEELS, WRKL B	103
PPP000000CWAC1008101	PULLEY, 3 1/2 DIA. X 1/2 ID	105
PPP000000CWPF4020713	TUBE,STEEL,HRPO, 1 1/2 X 1 1/2 X 3/	109
PPP000000CWCAYN025050	SCREW, SOCKET HEAD, BLK XYLAN	112
PPP000000CWHCCN050600	SCREW, HEX HEAD, ZINC, 1/2-13 X 6	113
PPP000000CW35150101	ASSY, D- HANDLE	114
PPP000000CWTAYN031100	SCREW, BUTTON HEAD, BLK XYLAN, 5/16	114
PPP000000CWAC4019101	ACCESSORY, HANDLE , SINGLE D, SOLID	115
PPP000000CWEANN050075	SCREW, SET, SCKT, CUP POINT, 1/2-13	117
PPP000000CW11311102	ENDCAP, REC TUBE, 2X4, BLK PLASTIC	118
PPP000000CW11382105	CAP, TUBE, PLASTIC, ROUND, CCF-5/8-	119
PPP000000CW12537109	NUT,INSERT,THIN-NUT,LARGE FLANGE	120
PPP000000CW31756101	LABEL, PRECOR USA ICARIAN LINE	121
PPP000000CWAC1009101	PULLEY, 4 1/2 DIA X 1/2 ID	122
PPP000000CWAC218901	HANDLE END CAP W/SET SCREWS, DIA 1"	123
PPP000000CWGR4612000	GRIP, RUBBER, 1.00" OD HANDLE, 12.0	124
PPP000000CWAC4003101	ACCESSORY, PRO STYLE BAR, SOLID, 32	125
PPP000000CWAC4011101	ACCESSORY, HANDLE , NYLON ROPE W/BA	126
PPP000000CWAC4013101	ACCESSORY, LAT BAR , SOLID, 48"	127
PPP000000CWSA1081731	ASSY,LAT BAR,BLK ZNC	128
PPP000000CWTAYN050100	SCREW, BUTTON HEAD, BLK XYLAN, 1/2	130
PPP000000CWHCYN050275	SCREW, HEX HEAD, BLK XYLAN, 1/2-13	131
PPP000000CWWBKN031007	WASHER, FLAT, TYPE A, SAE, 5/16 ID	138
PPP000000CWHCYN050350	SCREW, HEX HEAD, BLK XYLAN, 1/2-13	145
PPP000000CW31887212	WELDMENT, TOP BEAM, SKY WHITE	151.01
PPP000000CW31887302	WELDMENT, TOP BEAM, CUSTOM	151.02
PPP000000CW31887322	WELDMENT, TOP BEAM, TITANIUM	151.03
PPP000000CW31891211	WELDMENT, UPRIGHT, LONG PULL, SKY W	152.01
PPP000000CW31891301	WELDMENT, UPRIGHT, LONG PULL, CUSTO	152.02

PPP0000CW31891321	WELDMENT, UPRIGHT, LONG PULL, TITAN	152.03
PPP0000CW31893212	WELDMENT, UPRIGHT, PUSHDOWN, SKY WH	153.01
PPP0000CW33293733	STEEL, ANGLE, HR, [3.15 X .25 X 1.6	154
PPP000CWCLGY101125	ASSY, CABLE, MARINE EYES, 304SM	155
PPP000CWCLGY155750	ASSY, CABLE, MARINE EYES, 302M	156
PPP000CWCLGY106125	ASSY, CABLE, MARINE EYES, 212M	157
PPP0000CW11311102	ENDCAP, REC TUBE, 2X4, BLK PLASTIC	161
PPP0000CW12537109	NUT,INSERT,THIN-NUT,LARGE FLANGE	162
PPP000CWCLRA319250	ASSY, CABLE, MARINE EYES, FTS,407B	173
PPP0000CW12589741	CARBINE, HOOK, MEDIUM, 5/16" DIA, 3	174
PPP0000CW11382105	CAP, TUBE, PLASTIC, ROUND, CCF-5/8-	176
PPP0000CW33302211	WELDMENT, BOTTOM BEAM, SKY WHITE	177.01
PPP0000CW33302301	WELDMENT, BOTTOM BEAM, CUSTOM	177.02
PPP0000CW33302321	WELDMENT, BOTTOM BEAM, TITANIUM, HG	177.03
PPP0000CW30010102	LABEL,WARNING STRENGTH	188
PPP0000CW30011102	LABEL,WARNING WEIGHT STACK	189
PPP000CWPD1141J101	PAD,4X19,2HOLES,W/BP,BLACK, W/SLIP	191.01
PPP000CWPD1141J102	PAD,4X19,2HOLES,W/BP,RYL BL, W/SLIP	191.02
PPP000CWPD1141J114	PAD,4X19,2HOLES,W/BP,CUSTOM,W/SLIP	191.14
PPP0000CW31595731	HANDLE, NARROW GRIP ROW, BLACK ZINC	192
PPP0000CW31597731	HANDLE, WIDE GRIP ROW, BLACK ZINC	193
PPP0000CWAC4020101	ACCESSORY, HANDLE , DOUBLE D, SOLID	194
PPP0000CW31591731	HANDLE, TRICEP PUSHDOWN, BLACK ZINC	196
PPP0000CWAC4003101	ACCESSORY, PRO STYLE BAR, SOLID, 32	197
PPP0000CWAC4011101	ACCESSORY, HANDLE , NYLON ROPE W/BA	198
PPP0000CW12589742	CARBINE, HOOK, LARGE, 3/8" DIA, 3 1	199
PPP0000CWAC1133101	BUSHING, WEIGHT PLATE, LDPE PLASTIC	203
PPP0000CW10519721	PLATE, WEIGHT, 20 LBS, WRKL BLK	279
PPP0000CW10510721	ASSY, PLATE, WEIGHT, 10 LBS, WRKL B	300
PPP0000CW10520721	ASSY, PLATE, WEIGHT, 20 LBS, WRKL B	301
PPP0000CW30132712	SELECTOR STEM, 20 PLATE,0.875 DIA,	304
PPP0000CW30184902	ASSY,BARREL,TOP PLATE,ALUMINUM	305
PPP000CWLDDNN038200	SLOTTED PIN SPRING, DIA 3/8 X 2	306
PPP0000CW12402101	BUMPER, ID 1.050, BLK RUBBER	307
PPP0000CW12404101	CAP, GUIDE ROD,DIA 3/4, BLK	308
PPP0000CW33870102	ASSEMBLY, 5" WEIGHT STACK PIN & LEA	309
PPP0000CW33870102	ASSEMBLY, 5" WEIGHT STACK PIN & LEA	310
PPP0000CW33870102	ASSEMBLY, 5" WEIGHT STACK PIN & LEA	310.01
PPP0000CW32936101	WEIGHT STACK LABELS, 10-200, STRAIG	313
PPP0000CW32937101	WEIGHT STACK LABELS, 10-250, STAGGE	314
PPP0000CW33323721	STACK RISER, 5 INCH, WRINKLE BLACK	315
PPP0000CW32663741	WELDMENT, BOLT ON TOP PLATE MINI ST	316
PPP0000CW32938101	WEIGHT STACK LABELS, 10-300, STAGGE	318
PPP0000CWPF1016101	UHMWPE, GUIDE ROD CAPTURE PLATE	319
PPP0000CWPF1218712	GUIDE ROD,DIA 3/4, #8,CHM	320
PPP000CWTAYN031150	SCREW, BUTTON HEAD, BLK XYLAN, 5/16	321
PPP000CWTAYN031175	SCREW, BUTTON HEAD, BLK XYLAN, 5/16	321
PPP000CWCAYN038100	SCREW, SOCKET HEAD, BLK XYLAN, 3/	322
PPP000CWTAYN038125	SCREW, BUTTON HEAD, BLK XYLAN, 3/8	322
PPP000CWWALYN031008	WASHER, SPLIT, 5/16 ID, BL	323
PPP000CWWBKN031007	WASHER, FLAT, TYPE A, SAE, 5/16 ID	324
PPP000CWWCKN075015	WASHER, FLAT, TYPE A, WIDE, 3/4 ID	325

PPP00000CW32651721	WELDMENT, 4.50" TOP PLATE PULLEY HO	326
PPP0000CWAC1009101	PULLEY, 4 1/2 DIA X 1/2 ID	329
PPP0000CWPF1218712	GUIDE ROD,DIA 3/4, #8,CHM	330
PPP0000CWKAYN050031	LOCKNUT, NYLON INSERT, HALF, UNC, 1	331
PPP0000CWTAYN050175	SCREW, BUTTON HEAD, BLK XYLAN, 1/2	332
PPP0000CWWBKN050010	WASHER, FLAT, TYPE A, SAE, 1/2 ID X	333
PPP0000CWAC1177101	FLOOR PROTECTOR, RUBBER, 4.563 X 4.	501
PPP0000CWAC1178101	FLOOR PROTECTOR, RUBBER, 2.563 X 6.	502
PPP0000CWAC1180101	FLOOR PROTECTOR, RUBBER, 2.563 X 4.	504
PPP0000CWAC1181101	FLOOR PROTECTOR, RUBBER, 4.563 X 4.	505
PPP00000CW58004101	WEIGHT STACK BUSHING KIT, KS SERIES	600